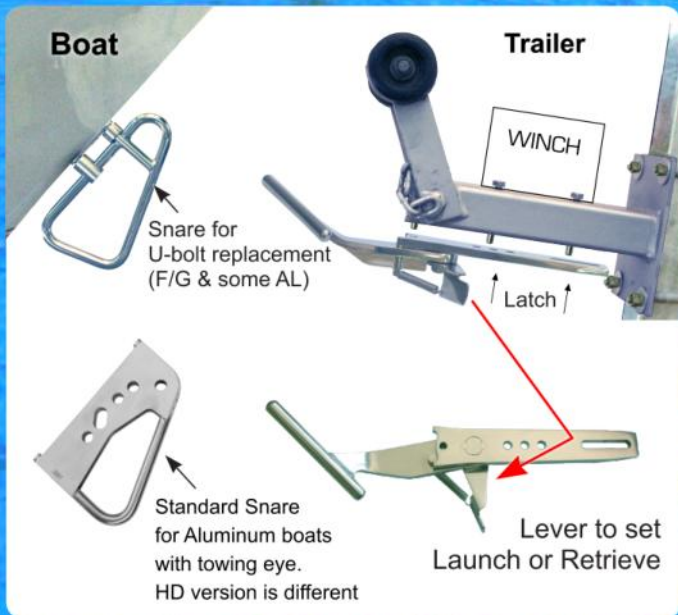
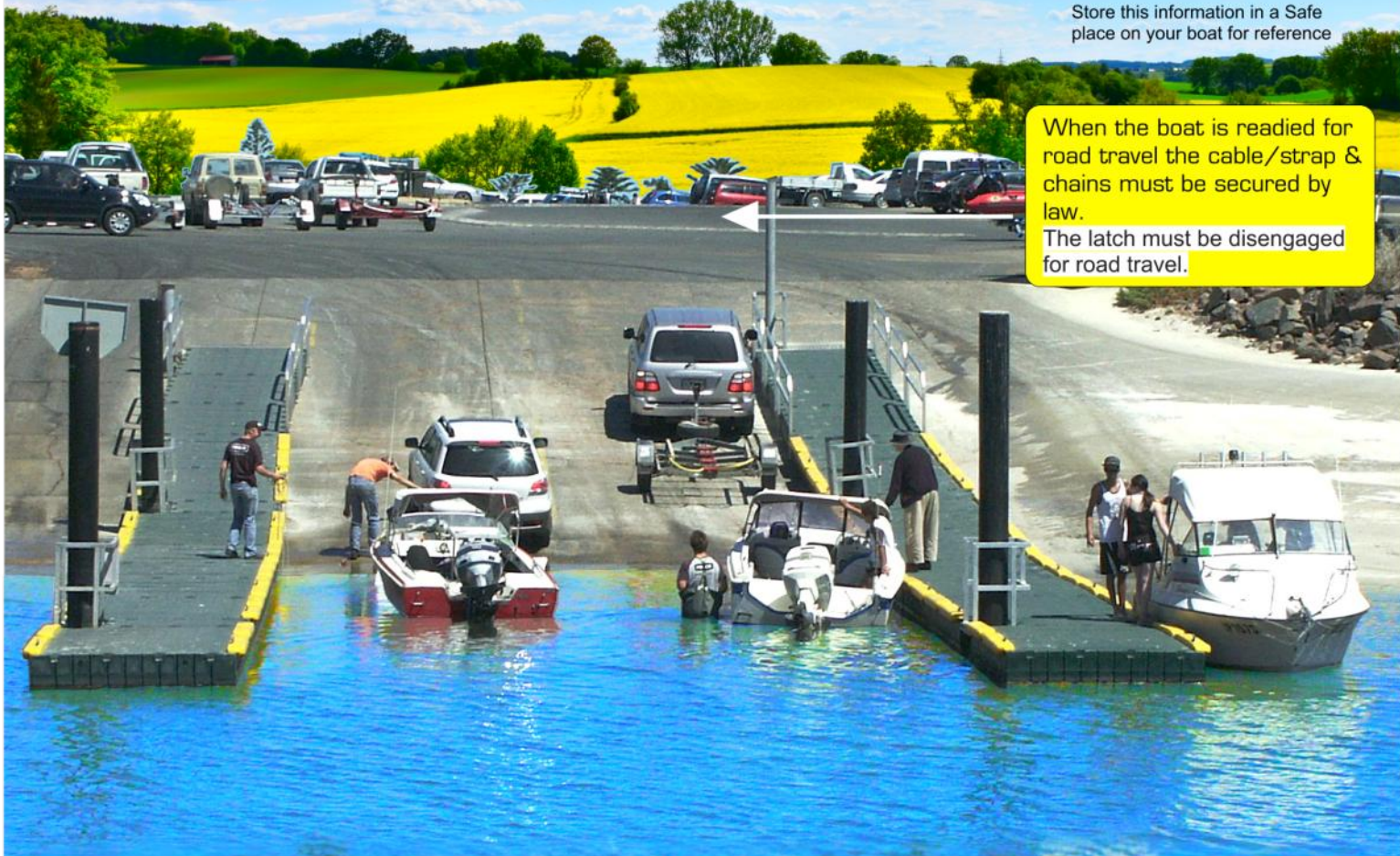


# Using Your Boat Latch

Launch and Retrieve by yourself without getting your partner **wet** or **hurt**

Store this information in a Safe place on your boat for reference

When the boat is readied for road travel the cable/strap & chains must be secured by law. The latch must be disengaged for road travel.



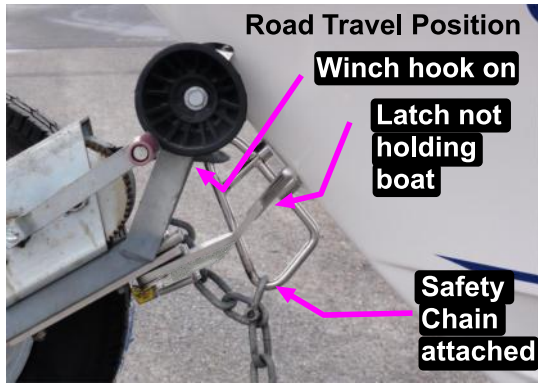
## Boat Latch is the Best

- ▶ Don't need to drill holes in your fibreglass boat .... or weld your aluminium boat
- ▶ Robust Marine Grade 316 Stainless Steel
- ▶ No strings, wires or electronics
- ▶ Easy to Fit & Use - Track record 15 yrs.

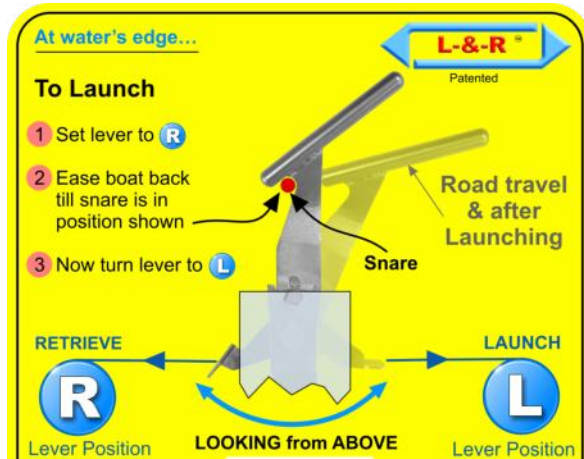
### It allows you to .....

- ▶ Get out in your boat more often
- ▶ Keeps your partner safe, dry and happy
- ▶ Take the boat out by yourself

Patented



**1** At the water's edge set Latch to 'Retrieve' position. Ease the boat back using the winch until the Snare is engaged by the latch.



Part of label included for trailer

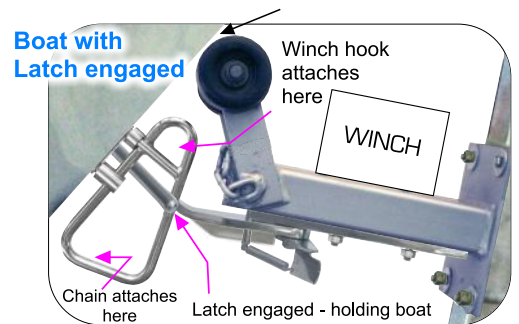
**2** Now switch selector lever to the 'Launch' position. Release safety chain and release winch hook.



**3** The boat and trailer are reversed into the water to a depth where the boat **MUST be UNABLE to float** off the trailer. Back roller/slides about 50 mm (2") under water. The latch is holding the bow of the boat, and there is resistance from rollers/slides to movement.

**4** Start the motor and ease the boat forward 20mm (3/4"). The spring loaded catch will then pull the Latch out of the way. The boat is released allowing it to be launched.

Gap - one finger width for Fibreglass boats before it hits the rubber bumper and about 2 finger widths for Towing Eye boats.



**5** Reverse or glide off the trailer.

Using the Product - *Handy Tips*

'LAUNCH' - The Latch is holding the bow of the boat. The boat **MUST be UNABLE to float** off the boat trailer. There should be resistance from rollers/slides. Back rollers/slides should be about 50 mm(2") under water.

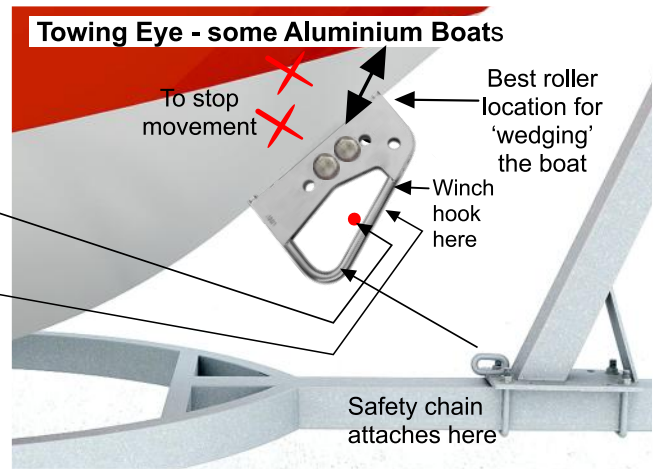
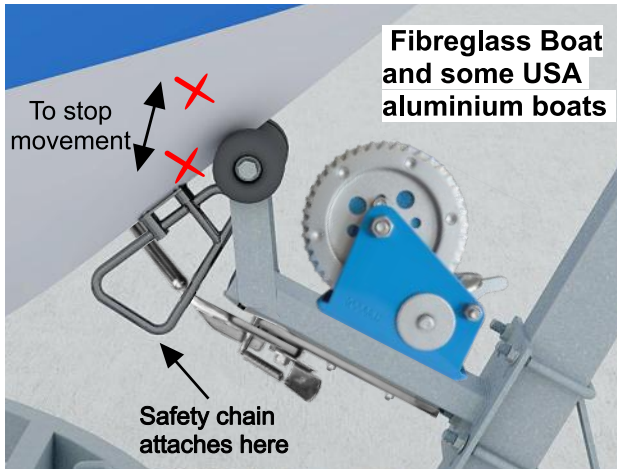
Finger Tests - Note - for adjusting Latch relative to Snare (page 6)



Patented

## Helping to limit boat movement on the trailer

Your boat should be securely held on the trailer - to restrict UP & DOWN movement (even though the winch is tensioned up). The roller 'wedging' the boat, as shown here for the two of the different boat types.



The 'Latched' boat should be held about here.

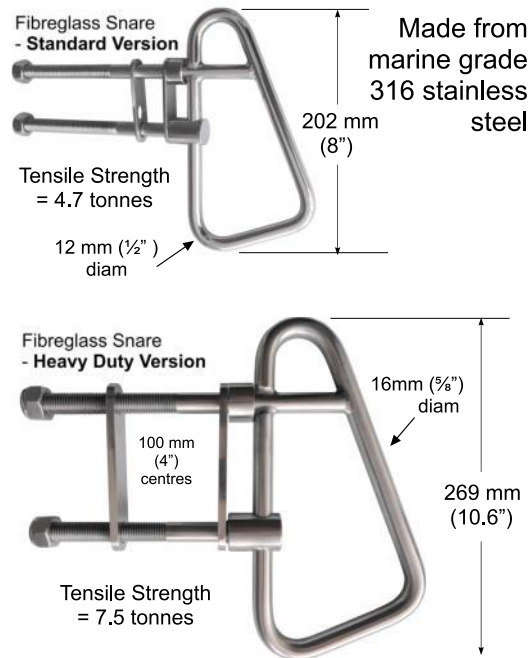
The point the Latch first hits should be about here. Allow for 'kick-up' as it approaches if you 'gun' it too hard. The Latch will finally finish up below this point.

## Large Heavy Duty Snares

Have a large boat or a very heavy duty application? Release & Retrieve Boat Latch Pty Ltd have developed heavy duty snares, intended for boats over 6.5 metres (21 ft). There are versions for Fibreglass and Towing Eye (Aluminium) boats. They can be fitted to smaller boats that are subjected to high work loads and rough conditions.

### Fibreglass boats

#### A Relative Size Comparison

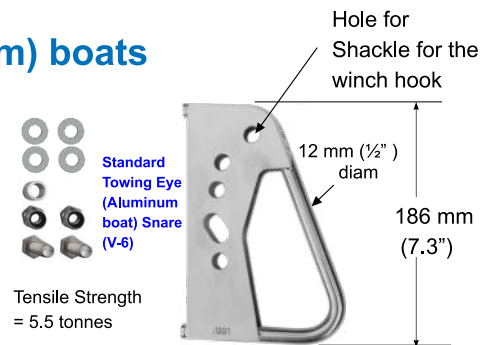


### Towing Eye (Aluminium) boats

#### A relative size comparison

Aluminium Snare - Standard Version

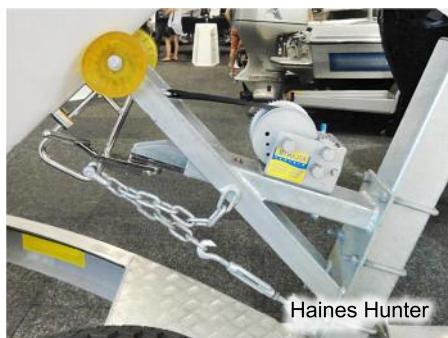
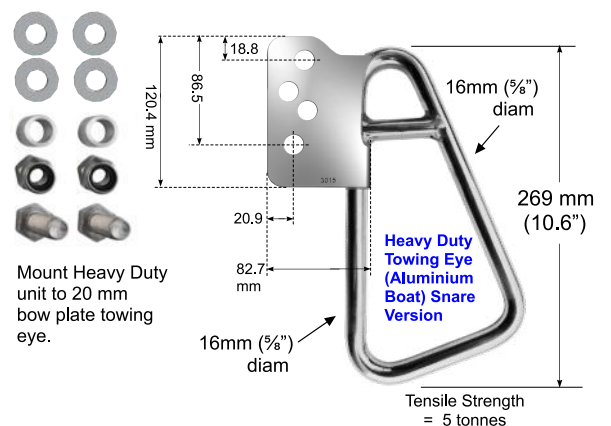
For boats up to 6.5M (21')



For large Towing Eye (Aluminium) boats over 6.5 metres (21 ft) or boats with very heavy duty end use.

Fixings with the Heavy Duty L & R™ Towing Eye Snare are ....

2 x 16M Bolts (16 x 50 mm) with nuts, washers and spacer sleeves.



Patented

## Roller Extender - Option

Used where the roller needs to be able to project out further to the bow. More commonly required on Towing Eye (Aluminium) boats.



The roller should act as a 'bumper' and works well where it wedges between the bow and the towing eye, helping to keep the boat from moving up & down on the trailer when being towed.

The option is comprised of two 6 mm plates and you will need six 1/2" bolts 1" long (M12 x 25 mm) galvanised bolts with washers and nylon locking nuts.

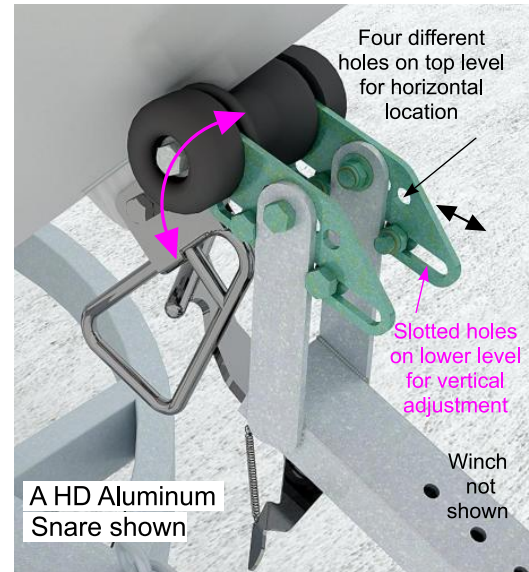
### Adjustment ability

There are 4 adjustment horizontal positions. The bolts locate in one of these and the other pair of bolts go in slotted holes, allowing the roller/wedge to swing up/down for vertical adjustment. This can project out 43 to 91 mm. (1.7 to 3.6")

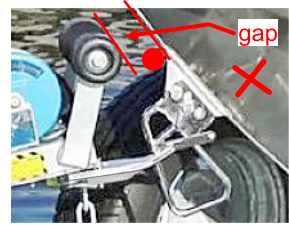
The 2 lower bolts are fixed so that the bolt or nut heads are located against the vertical Roller supports of the winch platform, as shown, limiting movement.

### Example

Here is an example on an Aluminum Towing Eye boat where the roller should be further forward. The snare is very close to hitting the winch platform when the roller is against the bow. The roller should be where the red dot is, so that it stops the boat, and also helps prevent the boat from moving up or down (wedges it). The Roller Extender solves this problem.



Roller Extender parts highlighted in green



Note also:- the latch is sitting way too high relative to the snare

## Wedge Kit - Option

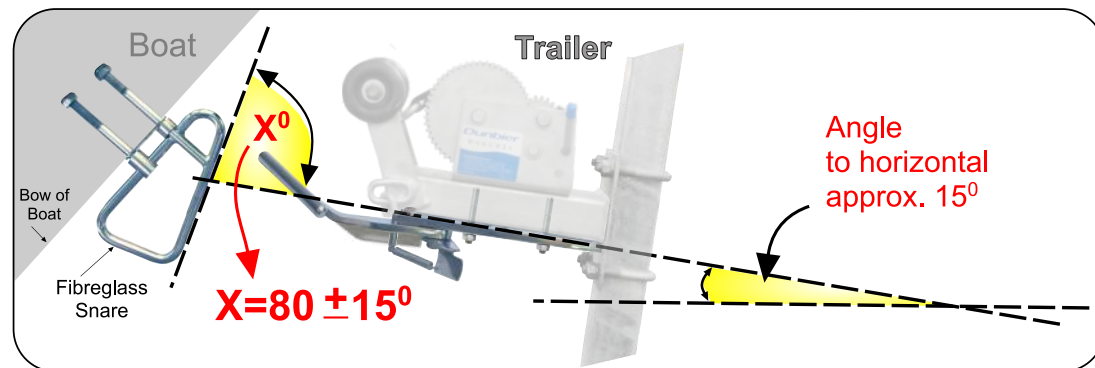
Use to adjust Latch angle up or down by 14 degrees



Good performance requires the correct angle where the Latch meets the Snare. The "Wedge" allows you to change the angle by 14 degrees up or down. An alternative is to use another Winch Plate or Winch Post.

To help you work out the angle there is a printed paper guide on the web at [www.boatlatch.com](http://www.boatlatch.com) in the Installation section ...see "Before you Install".

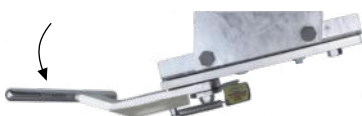
### The right Angle of the Latch to the Snare



### Bolt Sizes - recommended

You may have to use longer winch bolts. You should use corrosion resistant high tensile bolts. Some winch manufacturers specify the use of three bolts. The sizes we have allowed for are 3/8" (10 mm) diameter bolts complete with spring washers with nylon locking nuts.

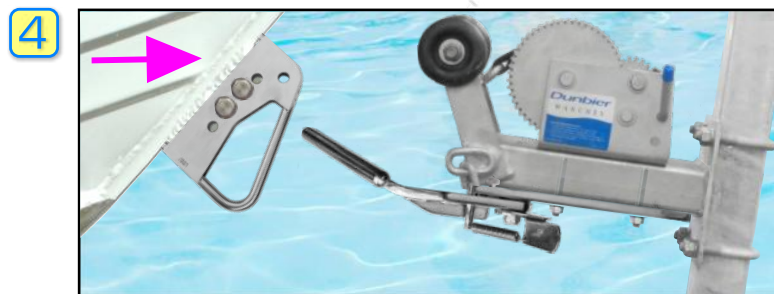
▶ Tilt 14 degrees DOWN



▶ Tilt 14 degrees UP



- 1 Set the latch to **"Retrieve"** (Starboard) position.  
NOTE - Same Latch is used on all Boat types  
Reverse trailer into the water to a similar depth used for a "good launch" at this ramp.  
Too deep (common mistake), means the approach speed could be higher and equipment may be damaged.  
The back rollers/slides should be **50mm below the water**.
- 2 Drive the boat onto trailer to within one metre of the latch and stop.
- 3 When the boat has settled (2 seconds), gently drive it up the last metre to engage the latch.

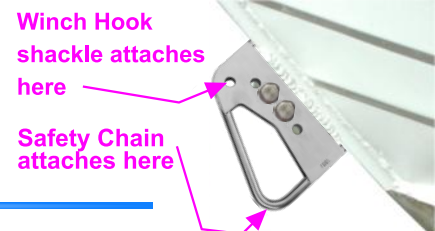


Boat approaching snare. Note the latch will hit the snare about 1/3 of the way down from the top.



Boat settles back to be securely held by the snare.

- 5 Stop the motor and lift the propeller leg.
  - 6 Move boat & trailer 3M (10ft) approx. out of water.
  - 7 Attach the winch hook to the snare and winch the boat up so the bow is firmly on the roller or V-block. Secure safety chains and tie downs as usual.
  - 8 **NOW** move the boat to the car park.  
**Disengage** the latch for road travel.
- ▶ The latch should be disengaged for road travel. After loading the boat, safety chains and the winch cable/strap and the tie down straps **must be used** to secure the boat to the trailer. Otherwise you may forget, and wind up on the road without the safety gear engaged.  
**Note - This is required by law.**



- ▶ **Maintenance** - grease the Latch pivot once a year

**Using the Product - Handy Tips**

'RETRIEVE' - have the trailer the same depth as a 'good launch'. If it is too deep (a common mistake), the rollers/slides won't contact and the approach speed could be high. The equipment may be damaged. When retrieving, a metre before the winch post, pause for 2 seconds. **This lets the bow level down.**

**BOAT ALIGNMENT** - 9 out of 10 trailers are not that well set up. See details.... at "Installing" on the website. Align rollers/slides so that the centreline of the boat, trailer and the winch are in line.

Patented

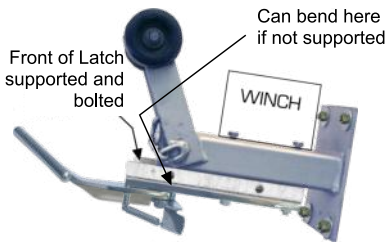
**Latch Support - Option**



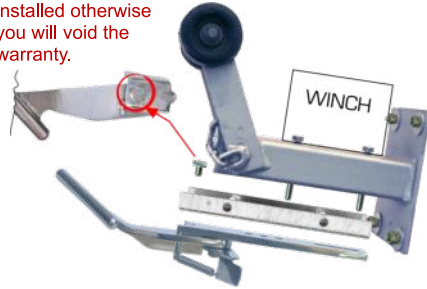
The 'Latch Support' (part of the wedge kit)

To use where there is nothing to support the front of the latch.

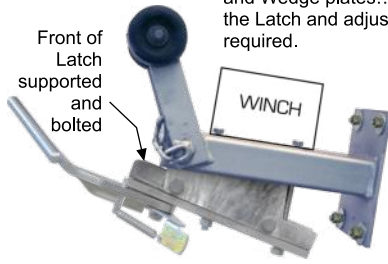
The front of the latch, in extreme situations, can bend if some form of brace and mount for the front bolt is not present.



Note - this front bolt needs to be installed otherwise you will void the warranty.



Combination - of Latch Support and Wedge plates.... to support the Latch and adjust the angle if required.



With this product, your partner doesn't ...

- get wet !
- slip on the ramp !
- have 'captain' yelling !
- have hair blown around !

with 'the crew' the boat goes out more often !

**Installing Product - Handy Tips**

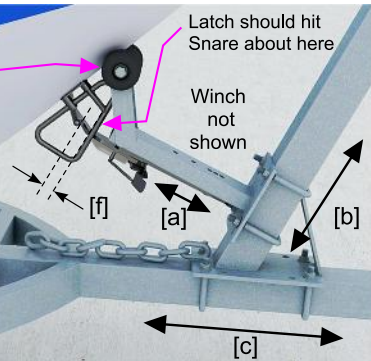


**Finger Tests** - Simple way to check your set-up

**Fibreglass Boat**

- 1 - No gap between roller & bow
- 2 - Adjust [a], [b] & [c] so that the gap [f] between the Snare and the bar on the Latch = 1 finger widths (20 mm or 3/4")

Use a G-clamp to hold the Latch, under the winch plate to find the best location.



When roller/wedge is right up against the bow



[f] = 1 finger widths (20 mm or 3/4")

**Side Finger Test**



See video on how it works at...

[www.boatlatch.com](http://www.boatlatch.com)

*Have a great day !*

**Contact Us**

Email [boatlatch@internode.on.net](mailto:boatlatch@internode.on.net)

Mobile 0402 079 660 International +61-402-079-660

Skype : gd7214

Release & Retrieve Boat Latch Pty Ltd ABN 39 007 839 563  
17 Windjammer Court, Encounter Bay, SA, 5211, Australia



Designed & developed in Australia

Patented



[www.boatlatch.com](http://www.boatlatch.com)

**Your Dealer**

Dealers or Fitters at [www.boatlatch.com/dealers.htm](http://www.boatlatch.com/dealers.htm)

More information at [www.boatlatch.com](http://www.boatlatch.com)